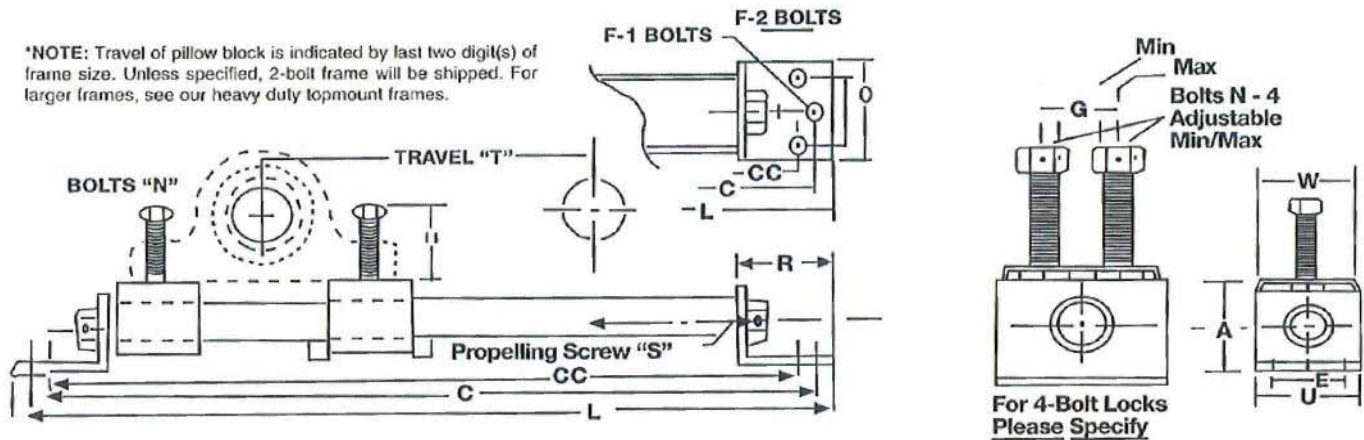


# VERSA-MOUNT<sup>®</sup> TOPMOUNT

Top Mount uses UCP bearings (or equivalent to)

\*NOTE: Travel of pillow block is indicated by last two digit(s) of frame size. Unless specified, 2-bolt frame will be shipped. For larger frames, see our heavy duty topmount frames.



ALL WELDED STEEL TAKE UP FRAMES  
ADJUSTING SCREWS

SHAFT SIZE	Frame Size	GENERAL DIMENSIONS - INCHES															APPROX. WT. (LBS.)
	Travel	A	C	CC	D	E	F1	F2	N	L	"G" MIN/MAX	N4	R	S	W	H	
1/2" THRU 1"	1TM3	2-1/16	13-1/2	12-1/2	2-3/4	1-3/4	3/8	3/8	3/8	14-1/2	--	--	2-1/2	5/8	2-3/8	1-5/8	6.5
	1TM6		16-1/2	15-1/2						17-1/2							7.5
	1TM9		19-1/2	18-1/2						20-1/2							8.5
	1TM12		22-1/2	21-1/2						23-1/2							9
	1TM18		28-1/2	27-1/2						29-1/2							11
1-1/16" THRU 1-15/16"	2TM6	2-7/8	20	19	3-1/2	2-1/4	1/2	3/8	1/2	21	--	--	3	3/4	3-3/8	2-3/8	13
	2TM9		23	22						24							14.5
	2TM12		26	25						27							16
	2TM18		32	31						33							18.5
	2TM24		38	37						39							21
	2TM30		44	43						45							27
2TM36	50	49	51	31													
2" THRU 2-7/16"	3TM9	3-7/16	25-1/2	24-1/4	3-3/4	2-1/2	5/8	1/2	5/8	27	1-3/4	1/2	3-1/2	1	3-1/2	2-13/16	23
	3TM12		28-1/2	27-1/4	3-3/4					25							
	3TM18		34-1/2	33-1/4	3-3/4					28.5							
	3TM24		40-1/2	39-1/4	3-3/4					32							
	3TM30		46-1/2	45-1/4	4-1/2					45							
	3TM36		52-1/2	51-1/4	4-1/2					50							
2-1/2" THRU 2-15/16"	4TM12	3-7/8	30-1/4	29-1/2	4-3/4	3-1/2	3/4	5/8	3/4	32	1-3/4	5/8	4	1-1/8	4-1/2	4-5/16	36.5
	4TM18		36-1/4	35-1/2	4-3/4					38							
	4TM24		42-1/4	41-1/2	4-3/4					44							
	4TM30		48-1/4	47-1/2	5-1/2					50							
	4TM36		54-1/4	53-1/2	5-1/2					56							
	4TM48		66-1/4	65-1/2	5-1/2					58							
3" THRU 3-7/16"	5TM9	4-3/4	30	29	5-1/2	4	3/4	5/8	7/8	32	2-1/8	5/8	4	1-1/8	5-1/2	5-5/16	49
	5TM12		33	32						35							53
	5TM18		39	38						41							59
	5TM24		45	44						47							65
	5TM30		51	50						53							71
	5TM36		57	56						59							77
5TM48	63	62	71	90													



# HEAVY-DUTY TOPMOUNT

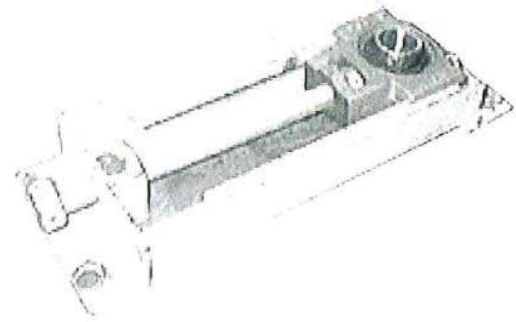
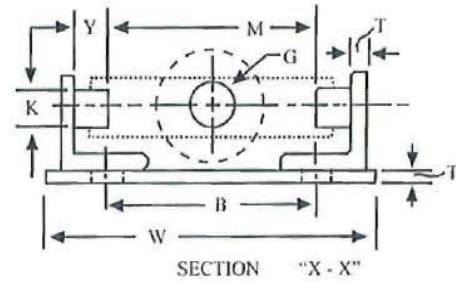
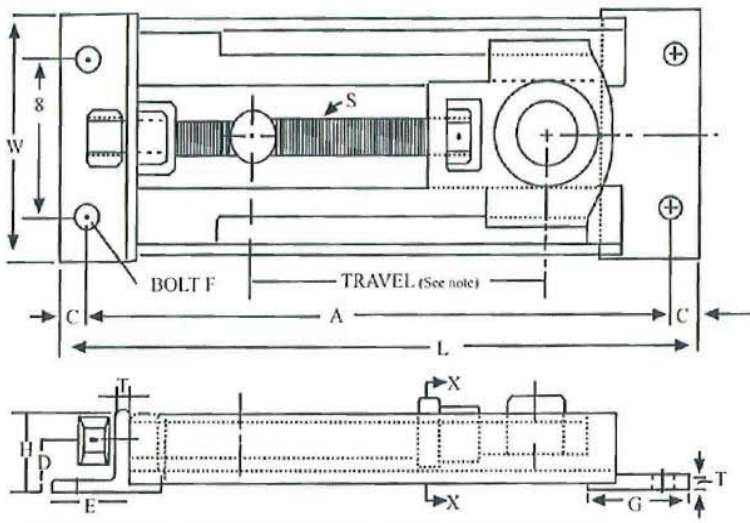
ALL HEAVY DUTY TAKE-UP FRAMES ARE EQUIPPED WITH HEAVY DUTY THREADED ADJUSTING SCREWS. HEAVY DUTY TM USES EITHER SPLIT BLOCK SERIES SAF 225 SERIES OR SPHERICAL SERIES SYE/FYSE (OR EQUIVALENT TO)

\* NOTE: Travel of pillow block is indicated by last two digit(s) of frame size. Unless specified, 2-bolt frame will be shipped (Please state if for 4-bolt block.) For larger frames than shown, please inquire.

SHAFT SIZE	FRAME SIZE * TRAVEL	A	C	CC	D	E	F-1	F-2	N	L	GENERAL DIMENSIONS INCHES		N-4	R	S	W	H	APRX WT. (LBS)
											G MIN-MAX							
1-1/2" THRU 1-15/16"	2HDTM12	28-1/2		28						30								32
	2HDTM18		34-1/2	34						36								36
	2HDTM24	3-3/4	40-1/2	40	4	2-1/2	5/8	1/2	1/2	42	-	-	3	1	3-11/16	2-3/8		40
	2HDTM30	46-1/2	46							48								45
	2HDTM36	52-1/2	52							54								49
2" THRU 2-7/16"	3HDTM12		32	31						34								43
	3HDTM18		38	37						40								47
	3HDTM24	4-1/4	44	43	5	3-1/2	3/4	5/8	5/8	46	1-3/4	1/2	4	1-1/8	4-11/16	2-13/16		52
	3HDTM30		50	49						52	2-1/2							58
	3HDTM36		56	55						58								63
2-1/2" THRU 2-15/16"	4HDTM12		34	33						36								66
	4HDTM18		40	39						42								73
	4HDTM24	5	46	45	6	4	7/8	3/4		48	1-3/4	5/8	4	1-1/4	5-15/16	4-4/16		80
	4HDTM30		52	51						54	2-3/4							86
	4HDTM36		58	57						60								93
4HDTM48		70	69						72								106	
3" THRU 3-7/16"	5HDTM18	42	41							44								75
	5HDTM24	48	47							50								82
	5HDTM30	5-1/8	54	53	6	4	7/8	3/4	3/4	56	2-3/8	5/8	4	1-1/4	5-15/16	5-5/16		89
	5HDTM36		60	59						62	3-1/4							95
	5HDTM48		72	71						74								108
3-1/2" 6 THRU 6 3-15/16" 6 6	6HDTM18		44	43						47								127
	HDTM24		50	49						53								138
	HDTM30	6	56	55	7	4-1/2	1	3/4	7/8	59	2	3/4	5	1-1/2	6-15/16	5-1/4		150
	HDTM36		62	61						65	3-1/2							161
	HDTM48		74	73						77								183
4" THRU 4-1/2"	7HDTM18		47	46						50								140
	7HDTM24		53	52						56	2-1/4							151
	7HDTM30	7	59	58	7	4-1/2	1	7/8	7/8	62	4	3/4	6	1-1/2	6-15/16	5-5/8		162
	7HDTM36		65	64						68								173
	7HDTM48		77	76						80								196
4-15/16" THRU 5"	8HDTM18		49	48						52								150
	8HDTM24		55	54						58	2-1/2							161
	8HDTM30	7	61	60	7	4-1/2	1	7/8	1	64	4-1/2	7/8	6	1-1/2	6-15/16	5-5/8		173
	8HDTM36		67	66						70								184
	8HDTM48		79	78						82								206
5-3/16" THRU 5-7/16"	9HDTM18		53	52						56								237
	9HDTM24		59	58						62	3							252
	9HDTM30	7-1/2	65	64	9	5-1/2	1-1/8	1	1-1/8	68	5	1	6	1-3/4	8-15/16	5-5/8		268
	9HDTM36		71	70						74								283
	9HDTM48		83	82	86					86								314
5-15/16" THRU 6"	10HDTM18		56	55						59								246
	10HDTM24		62	61						65								261
	10HDTM30	7-1/2	68	67	9	5-1/2	1-1/8	1	1-1/4	71	5-1/2	1-1/8	6	1-3/4	8-15/16	6-13/16		277
	10HDTM36		74	73						77								293
	10HDTM48		86	85						89								326



# VERSA-MOUNT<sup>®</sup> SIDEMOUNT



All welded steel frame Large zinc-coated screw For use with normal duty take-up frames with wide slot bearings.

Side Mount uses UCT & UCST bearings (or equivalent to)

\*NOTE: Bearing travel is indicated by last two digits of frame size.

Shaft Size	Frame Size	GENERAL DIMENSIONS - INCHES															WT. (LB S.)	
		Travel	A	B	C	D	E	F	G	H	K	Y	L	M	R	S		T
1/2" THRU 1"	SM106	12										13						6
	SM109	15	3	1/2	1	1-1/2	3/8	2	1-1/2	1/2	1/2	16	3-3/64	13/16	5/8	3/16	4-3/4	7
	SM112	18										19						8.5
1-1/16" THRU 1-7/16"	SM206	13-1/2										14-1/2						6.5
	SM209	16-1/2	3-1/2	1/2	1	1-1/2	1/2	2	1-1/2	1/2	1/2	17-1/2	3-35/36	13/16	3/4	3/16	5-1/4	7.5
	SM212	19-1/2										20-1/2						9
	SM218	25-1/2										26-1/2						12
1-1/2" THRU 1-15/16"	SM306	14-3/4										16						12
	SM309	17-3/4	4-1/2	5/8	1-3/16	2	1/2	2-1/2	2	5/8	5/8	19	4-3/64	15/16	7/8	1/4	6-1/4	14
	SM312	20-3/4										22						16.5
	SM318	26-3/4										28						21
2" THRU 2-7/16"	SM409	21-1/2										23						25
	SM412	24-1/2	6	3/4	1-3/16	2-1/2	5/8	3	3	1	1/2	26	5-11/64	1-1/2	1	5/16	7-1/2	28.5
	SM418	30-1/2										32						35
	SM424	36-1/2										38						42
2-1/2" THRU 2-15/16"	SM512	26-1/2										28-1/2						42
	SM518	32-1/2	7	1	1-7/8	3	3/4	4	3	1	3/4	34-1/2	6-3/64	1-1/2	1-1/4	3/8	8-3/4	51
	SM524	38-1/2										40-1/2						60
	SM530	44-1/2										46-1/2						69

# SIDEMOUNT TAKEUP FRAME UNIT

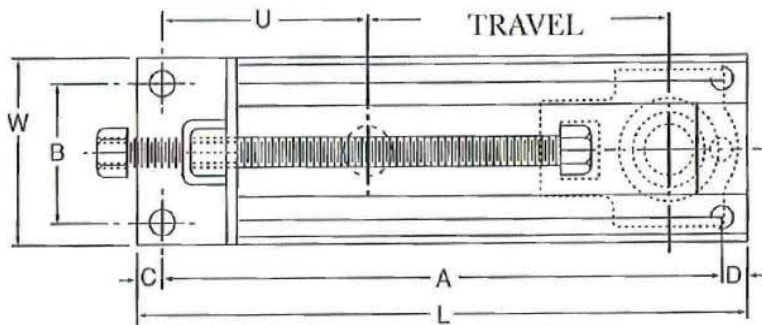
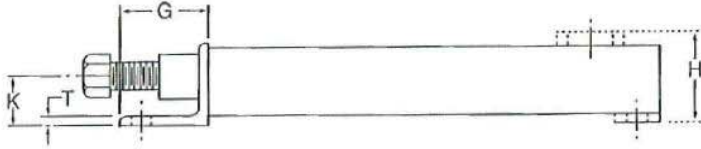
WITH MEDIUM DUTY BEARINGS

BORE	PART#	PART#	PART#	PART#
<b>RANGE OF</b> 1/2 TO 1 1/2 5/8 11/16 3/4 7/8 15/16 1	SM106 SM106-UCT-201-8 SM106-UCT-202-10 SM106-UCT-203-11 SM106-UCT-204-12 SM106-UCT-205-14 SM106-UCT-205-15 SM106-UCT-205-16	SM109 SM109-UCT-201-8 SM109-UCT-202-10 SM109-UCT-203-11 SM109-UCT-204-12 SM109-UCT-205-14 SM109-UCT-205-15 SM109-UCT-205-16	SM112 SM112-UCT-201-8 SM112-UCT-202-10 SM112-UCT-203-11 SM112-UCT-204-12 SM112-UCT-205-14 SM112-UCT-205-15 SM112-UCT-205-16	
<b>RANGE OF</b> 1 1/16 TO 1 7/16 1 1/16 1 1/8 1 3/16 1 1/4 1 1/4 1 5/16 1 3/8 1 7/16	SM206 SM206-UCT-206-17 SM206-UCT-206-18 SM206-UCT-206-19 SM206-UCT-206-20 SM206-UCT-207-20 SM206-UCT-207-21 SM206-UCT-207-22 SM206-UCT-207-23	SM209 SM209-UCT-206-17 SM209-UCT-206-18 SM209-UCT-206-19 SM209-UCT-206-20 SM209-UCT-207-20 SM209-UCT-207-21 SM209-UCT-207-22 SM209-UCT-207-23	SM212 SM212-UCT-206-17 SM212-UCT-206-18 SM212-UCT-206-19 SM212-UCT-206-20 SM212-UCT-207-20 SM212-UCT-207-21 SM212-UCT-207-22 SM212-UCT-207-23	SM218 SM218-UCT-206-17 SM218-UCT-206-18 SM218-UCT-206-19 SM218-UCT-206-20 SM218-UCT-207-20 SM218-UCT-207-21 SM218-UCT-207-22 SM218-UCT-207-23
<b>RANGE OF</b> 1 1/2 TO 1 15/16 1 1/2 1 9/16 1 5/8 1 11/16 1 3/4 1 7/8 1 15/16	SM306 SM306-UCT-208-24 SM306-UCT-208-25 SM306-UCT-209-26 SM306-UCT-209-27 SM306-UCT-209-28 SM306-UCT-210-30 SM306-UCT-210-31	SM309 SM309-UCT-208-24 SM309-UCT-208-25 SM309-UCT-209-26 SM309-UCT-209-27 SM309-UCT-209-28 SM309-UCT-210-30 SM309-UCT-210-31	SM312 SM312-UCT-208-24 SM312-UCT-208-25 SM312-UCT-209-26 SM312-UCT-209-27 SM312-UCT-209-28 SM312-UCT-210-30 SM312-UCT-210-31	SM318 SM318-UCT-208-24 SM318-UCT-208-25 SM318-UCT-209-26 SM318-UCT-209-27 SM318-UCT-209-28 SM318-UCT-210-30 SM318-UCT-210-31
<b>RANGE OF</b> 2 TO 2 7/16 2 2 1/8 2 3/16 2 1/4 2 3/8 2 7/16	SM409 SM409-UCT-211-32 SM409-UCT-211-34 SM409-UCT-211-35 SM409-UCT-212-36 SM409-UCT-212-38 SM409-UCT-212-39	SM412 SM412-UCT-211-32 SM412-UCT-211-34 SM412-UCT-211-35 SM412-UCT-212-36 SM412-UCT-212-38 SM412-UCT-212-39	SM418 SM418-UCT-211-32 SM418-UCT-211-34 SM418-UCT-211-35 SM418-UCT-212-36 SM418-UCT-212-38 SM418-UCT-212-39	SM424 SM424-UCT-211-32 SM424-UCT-211-34 SM424-UCT-211-35 SM424-UCT-212-36 SM424-UCT-212-38 SM424-UCT-212-39
<b>RANGE OF</b> 2 1/2 TO 2 15/16 2 1/2 2 9/16 2 3/4 2 15/16	SM512 SM512-UCT-213-40 SM512-UCT-213-41 SM512-UCT-214-44 SM512-UCT-215-47	SM518 SM518-UCT-213-40 SM518-UCT-213-41 SM518-UCT-214-44 SM518-UCT-215-47	SM524 SM524-UCT-213-40 SM524-UCT-213-41 SM524-UCT-214-44 SM524-UCT-215-47	SM530 SM530-UCT-213-40 SM530-UCT-213-41 SM530-UCT-214-44 SM530-UCT-215-47



# VERSA-MOUNT<sup>®</sup> TAKE UP FRAMES

## VTB FRAMES EQUIVALENT TO BROWNING 200 SERIES



### 200 Series Type

Part Number	Bore Range	GENERAL DIMENSIONS - INCHES											HOLES		WT. (LBS.)	
		Travel	L	W	A	B	C	D	G	"H" MAX.	K	S	T	No.		Size
VTB1	1/2-1	1 1/2	7	4 1/16	6	3 3/16	1/2	1/2	1 1/2	4 7/16	1 3/8	5/8	1/4	3	9/16	3.3
VTB2	1/2-1	3	8 1/2	4 1/16	7 1/2	3 3/16	1/2	1/2	1 1/2	2 7/16	1 3/8	5/8	1/4	3	9/16	3.9
VTB3	1/2-1	6	11 1/2	4 1/16	10 1/2	3 1/16	1/2	1/2	1 1/2	2 7/16	1 3/8	5/8	1/4	3	9/16	5.1
VTB4	1/2-1	9	14 1/2	4 1/16	13 1/2	3 3/16	1/2	1/2	1 1/2	2 7/16	1 3/8	5/8	1/4	3	9/16	6.2
VTB5	1 3/16-1 7/16	3	9 3/8	4 1/16	8 3/8	3 11/16	1/2	1/2	1 1/2	2 5/8	1 3/8	3/4	1/4	3	9/16	5.4
VTB6	1 3/16-1 7/16	6	12 3/8	4 1/16	11 3/8	3 11/16	1/2	1/2	1 1/2	2 5/8	1 3/8	3/4	1/4	3	9/16	6.7
VTB7	1 3/16-1 7/16	9	15 3/8	4 1/16	14 3/8	3 11/16	1/2	1/2	1 1/2	2 5/8	1 3/8	3/4	1/4	3	9/16	8.1
VTB8	1 3/16-1 7/16	12	18 3/8	4 1/16	17 3/8	3 11/16	1/2	1/2	1 1/2	2 5/8	1 3/8	3/4	1/4	3	9/16	9.5
VTB9	1 1/2-1 15/16	3	11	5 1/16	9 7/8	3 1/16	1/2	5/8	1 1/2	3 1/8	1 3/8	1	1/4	4	9/16	7.4
VTB10	1 1/2-1 15/16	6	14	5 1/16	12 7/8	3 1/16	1/2	5/8	1 1/2	3 1/8	1 5/8	1	1/4	4	9/16	9.1
VTB11	1 1/2-1 15/16	9	17	5 1/16	15 7/8	3 1/16	1/2	5/8	1 1/2	3 1/8	1 5/8	1	1/4	4	9/16	10.8
VTB12	1 1/2-1 15/16	12	20	5 1/16	18 7/8	3 1/16	1/2	5/8	1 1/2	3 1/8	1 5/8	1	1/4	4	9/16	12.5
VTB13	1 1/2-1 15/16	18	26	5 1/16	24 7/8	3 1/16	1/2	5/8	1 1/2	3 1/8	1 5/8	1	1/4	4	9/16	15.9
VTB14	2- 2 7/16	9	18 1/4	6 3/8	16 7/8	4 1/8	5/8	3/4	2	3 11/16	1 7/8	1 1/4	5/16	4	11/16	20.0
VTB15	2- 2 7/16	12	21 1/4	6 3/8	19 7/8	4 1/8	5/8	3/4	2	3 11/16	1 7/8	1 1/4	5/16	4	11/16	22.8
VTB16	2- 2 7/16	18	27 1/4	6 3/8	25 7/8	4 1/8	5/8	3/4	2	3 11/16	1 7/8	1 1/4	5/16	4	11/16	28.2